

APPLICATION REFERENCE: PF/23/0153

LOCATION: Church Farm Land North East Of
Dairy Barn, Fulmodeston Road, Hindolveston
Dereham, Norfolk, NR20 5BP

PROPOSAL: Installation of a ground mounted
solar PV system

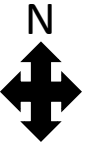


NORTH
NORFOLK
DISTRICT
COUNCIL

north-norfolk.gov.uk

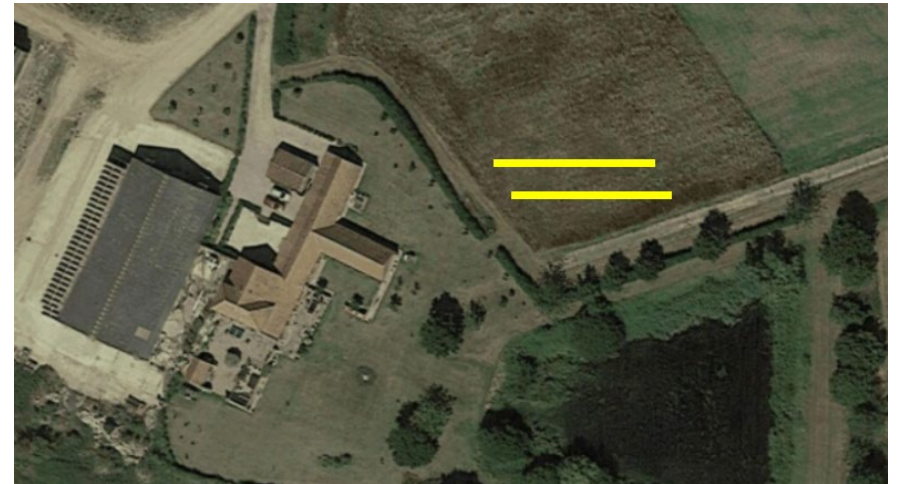
20/07/2023

SITE LOCATION PLAN AND AERIAL

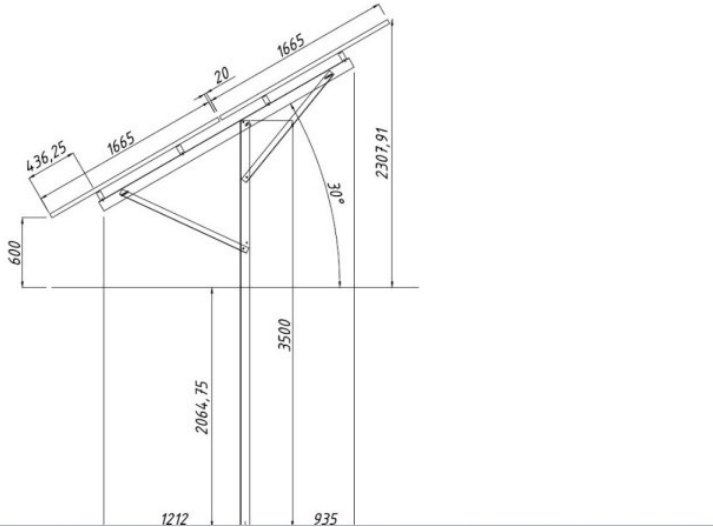
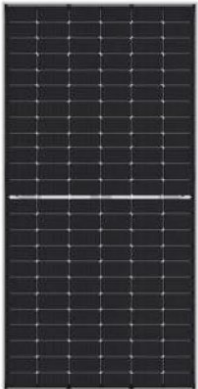




Site plan



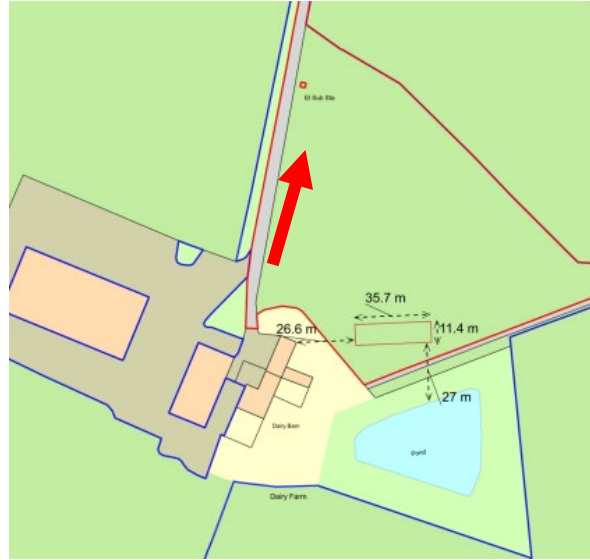
Solar panel plans



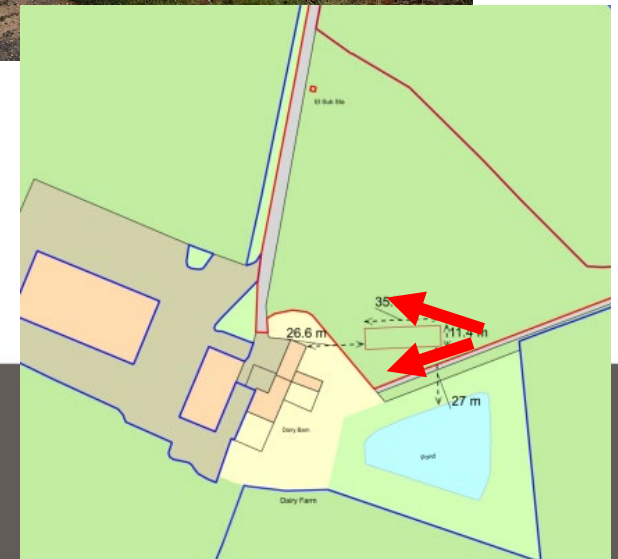
Fulmodeston Road facing eastwards and south to adjacent field



View northwards



View of the site where the panels are proposed to be installed westwards



View of field boundaries southwest and eastwards



View of pond



MAIN ISSUES

- Whether the proposed development is acceptable in principle
- The effect on the character and appearance of the surrounding landscape
- The effect on biodiversity
- The effect on residential amenity

RECOMMENDATION

APPROVAL subject to conditions to cover the matters listed below and any other considered necessary by the Assistant Director - Planning

- Time limit for implementation
- Approved plans
- Accordance with the mitigation and enhancement measures outlined in Preliminary Ecological Appraisal
- Removal of equipment once no longer required

Final wording of the reasons to be delegated to the Assistant Director – Planning